

Industrial goods

I InforTab(Electronic Shelf Label)



Powerful ecosystem to advance digital transformation

RAINUS designed the InforTab solution to assist retail customers in price transparency and cost-saving. Embedded with the NFC option, InforTab comes in a wide range of sizes, which enables retailers to be connected in a new and more personalized way with shoppers. The automated RAINUS ESL system reduces labor costs for pricing management and improves pricing accuracy. RAINUS InforTab allows retailers to control and manage in-store pricing and promotions with speed, flexibility, and consistency. InforTab is an advanced solution that can support full graphics in three or eight colors.

The system of RAINUS InforTab has a low-power technology that only consumes battery power when it updates information during communication with a server. When they are not updating or communicating with a server, InforTab is normally in sleep mode and consumes the least power, even though information is still shown on display screens.



Name	Discription	Dimensions (mm)	Active Display Area (mm)	Color	LED
R154		39.8 x 47.3 x 13.6	27.5 x 27.5	<ul style="list-style-type: none"> ● Black ○ White ● Customized Color 	○
R213		69.2 x 35.4 x 13.1	48.6 x 23.7	<ul style="list-style-type: none"> ● Black ○ White ● Customized Color 	○
R420		103.8 x 89.8 x 14.7	84.8 x 63.6	<ul style="list-style-type: none"> ● Black ○ White ● Customized Color 	○

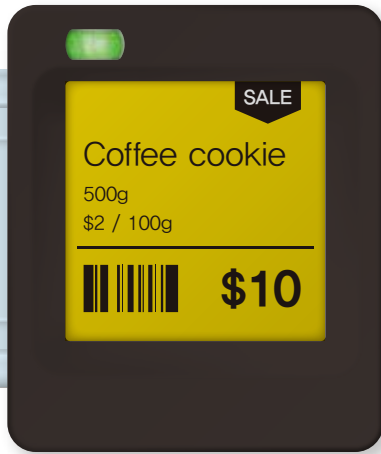
I Company Introduction

Company Name : RAINUS

RAINUS InforTab is the most scalable and robust ESL system and is recognized by partners and retailers across the world. RAINUS gives trust to customers and its products used in various sectors including offices, warehouses, and factories. RAINUS InforTab is a powerful tool to boost “omnichannel”, a cross-channel business marketing model used to enhance customer experience.

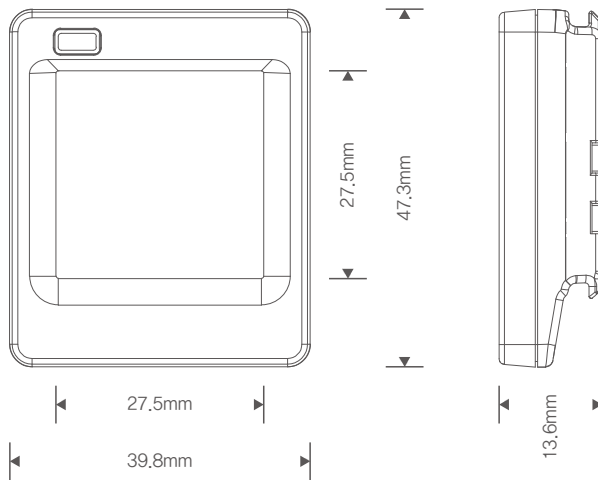
Manager : Hoon Shin
E-mail : sales@rainusbiz.com
Tel : +82-70-4820-6433
Homepage : <http://www.rainusbiz.com>
Productpage : <https://bitly.co/7nyX>

InforTab R154



Dimensions(mm) : 39.8 x 47.3 x 13.6

Active Display Area(mm) : 27.5 x 27.5



Technical Details

Bezel Color	White, Black
Display Technology	Full Graphic E-ink Display
Weight(g)	20.8
Resolution(Pixels)	152 x 152
Pixel Density	140 dpi
Pixel Colors	B/W/R, B/W/Y
Viewing Angle	Nearly 180°
Usable Pages	7 pages
Operating Temperature	0 ~ 40°C

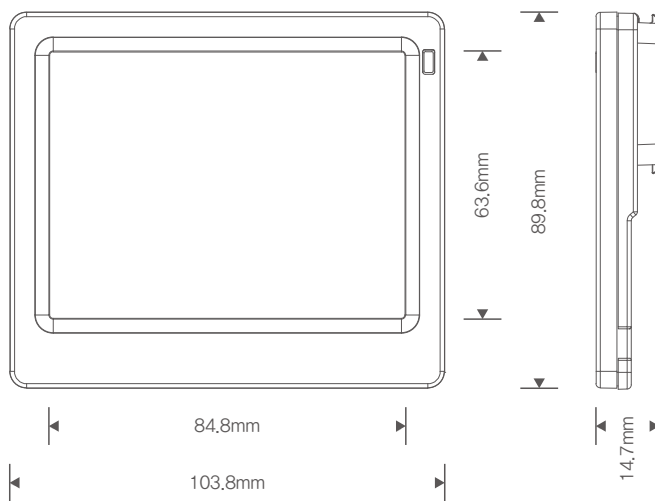
Battery Lifetime (Room Temperature)	5 Years(3 Updates / Day, Based On Room Temperature)
Battery	3V Lithium Manganese Dioxide Button Cell Battery
Encryption	AES-128
Packaging Unit	540 InforTab / Box
NFC	Operating Frequency 13.56 MHz
LED	Red / Green / Blue
ESL Operating Frequency	2.4 GHz
Wireless Firmware Update	Available
Compliance	KC, CE, FCC, JAPAN-MIC, WPC, NOM, IFTTEL, EAC

InforTab R420



Dimensions(mm) : 103,8 x 89,8 x 14,7

Active Display Area(mm) : 84,8 x 63,6



Bezel Color	White, Black
Display Technology	Full Graphic E-ink Display
Weight(g)	76
Resolution(Pixels)	400 x 300
Pixel Density	120 dpi
Pixel Colors	B/W/R, B/W/Y
Viewing Angle	Nearly 180°
Usable Pages	Up to 7 pages
Operating Temperature	0 ~ 40°C

Technical Details

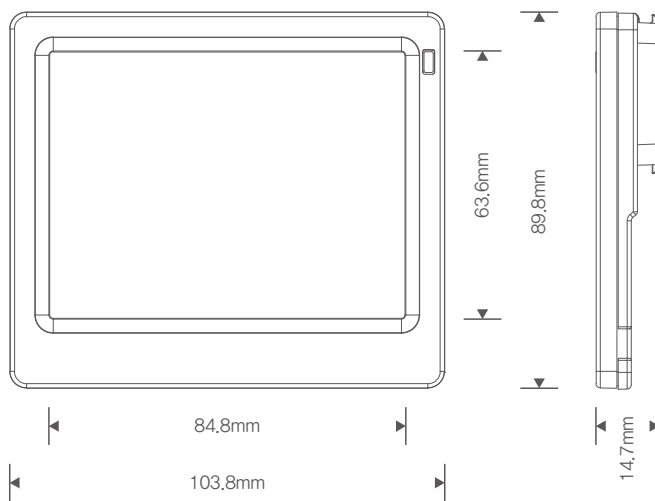
Battery Lifetime (Room Temperature)	5 Years(3 Updates / Day, Based On Room Temperature)
Battery	3V Lithium Manganese Dioxide Button Cell Battery
Encryption	AES-128
Packaging Unit	108 InforTab / box
NFC	Operating Frequency 13.56 MHz
LED	Red / Green / Blue
ESL Operating Frequency	2.4 GHz
Wireless Firmware Update	Available
Compliance	KC, CE, FCC, JAPAN-MIC, WPC, NOM,IFTEL, EAC

InforTab R420



Dimensions(mm) : 103,8 x 89,8 x 14,7

Active Display Area(mm) : 84,8 x 63,6



Technical Details

Bezel Color	White, Black
Display Technology	Full Graphic E-ink Display
Weight(g)	76
Resolution(Pixels)	400 x 300
Pixel Density	120 dpi
Pixel Colors	B/W/R, B/W/Y
Viewing Angle	Nearly 180°
Usable Pages	Up to 7 pages
Operating Temperature	0 ~ 40°C

Battery Lifetime (Room Temperature)	5 Years(3 Updates / Day, Based On Room Temperature)
Battery	3V Lithium Manganese Dioxide Button Cell Battery
Encryption	AES-128
Packaging Unit	108 InforTab / box
NFC	Operating Frequency 13.56 MHz
LED	Red / Green / Blue
ESL Operating Frequency	2.4 GHz
Wireless Firmware Update	Available
Compliance	KC, CE, FCC, JAPAN-MIC, WPC, NOM,IFTEL, EAC