

# Industrial goods

## I Control Globe Valve



**We pride ourselves on being a reliable, value-added partner**

Globe valves are the best solution for throttling service in oil, gas, petrochemical and other industrial purposes. We emphasize the phrase "complete control" because we firmly believe that we have been addressing many of the problems that others continue to ignore. Our technical innovation and investigations will continue to improve our products and services.

**Cost Effective**

High Cv to body size ratio, which allows for smaller and more cost effective valve size selection

**Optimization**

Optimized streamlined flow  
Throttling controls 60° rotation, on-off controls 90° rotation

**Flow Control**

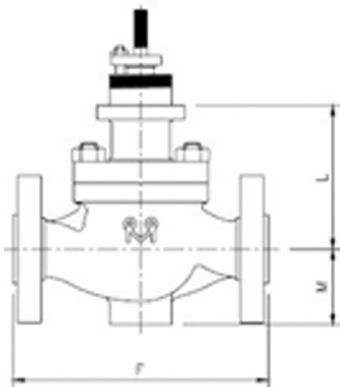
Excellent flow control rangeability

**Applications**

It provides optimal solutions to control from general service fluids to corrosive, cryogenic, high temperatures fluids under severe service conditions containing erosion, corrosion and high pressure drops

**Design Flexibility**

Modular construction design  
All trim components are replaceable from the top of easy maintenance  
Wide range of supplementary cavitation & noise control options  
Multi trim sizes are available  
Inherently characterized trim offered in equal percentage, linear, quick opening and modified parabolic



## I Company Introduction

**Company Name : Korea Motoyama Inc.**

Korea Motoyama Inc. was founded in 1988 through the technology and capital investment by Japan Motoyama Inc., which has almost 90 years of history. With long experiences, KOMOTO continues to invest in research and development, testing facilities, and quality control systems. Today, we are ready to provide our customers with the best solutions to control special fluids under any conditions.

**Manager : Kevin Kwon**  
**E-mail : [yh.kwon@komoto.co.kr](mailto:yh.kwon@komoto.co.kr)**  
**Tel : +82-31-985-4184**  
**Homepage : [www.komoto.co.kr](http://www.komoto.co.kr)**  
**Product page : <https://bityl.co/7trk>**